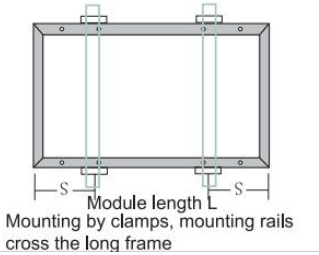


## Statement of Compatibility: JA Solar Photovoltaic Modules and ESDEC ClickFit EVO Racking Systems

To whom it may concern:

This letter shall serve as a statement of compatibility between JA Solar photovoltaic modules and ESDEC ClickFit EVO racking system. This letter is provided as a supplement to the installation and safety manual provided with the modules at the time of sale.

This compatibility has been confirmed by review of the ESDEC ClickFit EVO racking system design and mounting methods. The maximum test load ratings described in below table shall apply when installed with the ESDEC ClickFit EVO clamp as long as the modules are fixed at the correct position that complied with JA official installation manual.

Mounting structure	The maximum test load
 <p>Module length L Mounting by clamps, mounting rails cross the long frame</p>	<p>+4320/-1920pa</p>

Module warranties provided by JA Solar shall apply only for listed modules that are installed, operated and maintained in accordance with the relevant product information, in particular the specifications, installation instructions and other product documentation provided by JA Solar and by ESDEC.

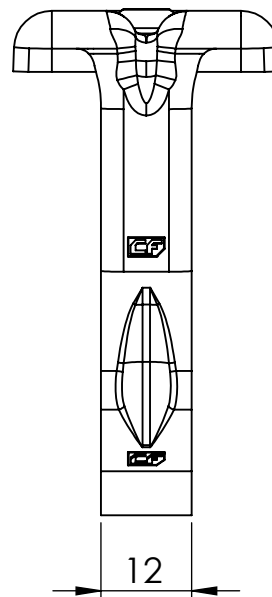
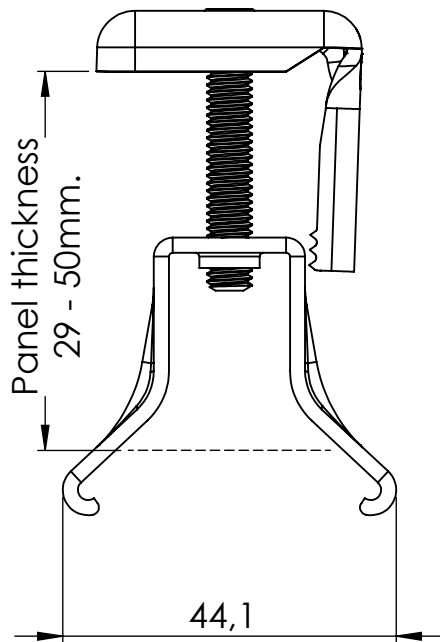
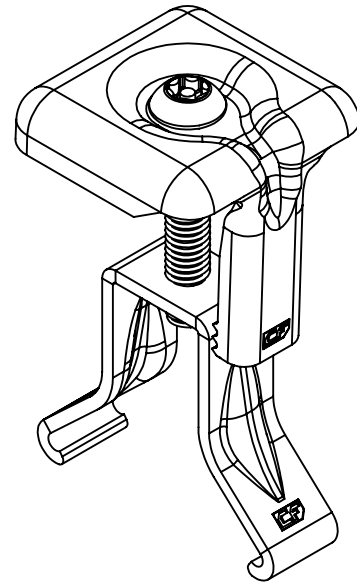
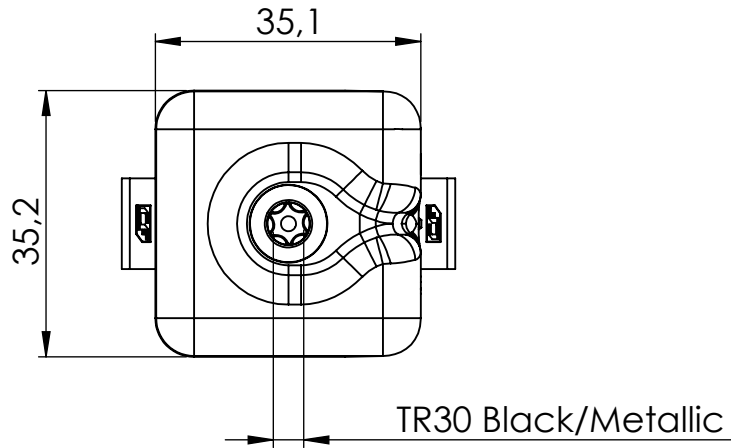
The PV system must be designed in compliance with the industry standard of photovoltaic system and must always take module specifications into considerations. System designers and installers are solely responsible for system design and installation. JA Solar assume no responsibility for the defect which is caused by mounting system or related components.

Shanghai JA Solar PV Technology Co. Ltd.

Oct. 19th, 2023

Exhibit 1 - ESDEC ClickFit EVO clamp drawing

# COMMERCIAL DRAWING



**ESDEC**

INNOVATIVE MOUNTING SYSTEMS

**ESDEC BV**  
Londenstraat 16  
7418 EE Deventer  
The Netherlands

DISCLAIMER  
NO RIGHTS CAN BE DERIVED FROM THE  
INFORMATION PROVIDED BY THIS DOCUMENT.

PRODUCT LINE:

**ClickFit EVO**

**NO: 900942**

TITLE:

**Module clamp Universal**

ARTICLE NO: 100-8020(B)

Units: mm

Date: 25-03-2020

Name: SK

Scale: 1:1

Drawn: 25-03-2020

Checked: 25-03-2020

JFG

Size: A4

Last mod.: 25-03-2020

SK

MATERIAL:

Steel

COLOR INFORMATION:

100-8020 Metallic  
100-8020-B top clamp black

DRAWING STATUS:

Released

Revision

01